

*Filnor, Inc.*

# **PENDANT STATIONS**

**CONTROLS FOR MATERIAL HANDLING EQUIPMENT**

*Filnor, Inc.*  
(330) 821-7667

## **CLASS: 5750**

- *Two to twelve buttons*
- *Single, two and three speeds*
- *Neoprene booted buttons*

## **CLASS: 5780**

- *High impact ABS resin*
- *Waterproof NEMA 4 rating*
- *Easy-to-push pressure switches*



**"QUALITY PRODUCTS AND SERVICES... DELIVERED ON TIME"**

# 5750

## CONTACT AND ORDERING

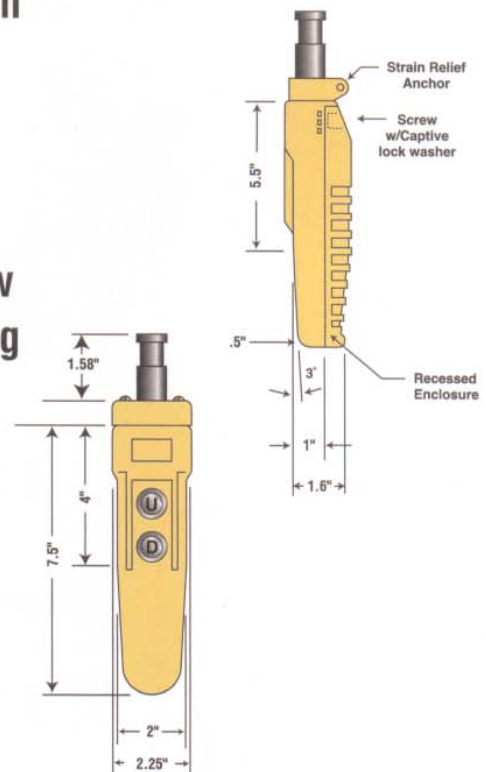


- Wide variety for easy customization
- Two to twelve buttons
- Compact safety yellow enclosure
- Single, two and three speeds
- Neoprene booted buttons
- Two-piece enclosure simplifies field wiring
- Soft pressure & positive indent switches/buttons
- -10° F TO 160° F (-15° C TO 70° C) Operation
- UL and CSA Approved
- Contacts Rated 2A at 240VAC
- NEMA 1,3,4, 4X, 12 - IP65
- 100 g Shock resistance
- Double insulated 1500V withstand voltage

# 5780



- Ergonomic comfort design
- Weighs only 10 oz.
- Less than 2" wide
- Made of high impact ABS resin
- High visible safety yellow
- Waterproof NEMA 4 rating
- Internal and external strain relief
- .315" dia cable bushing inlet
- Easy to push pressure switches
- Single speed 2A, 250V contact block
- Designed to meet UL standards



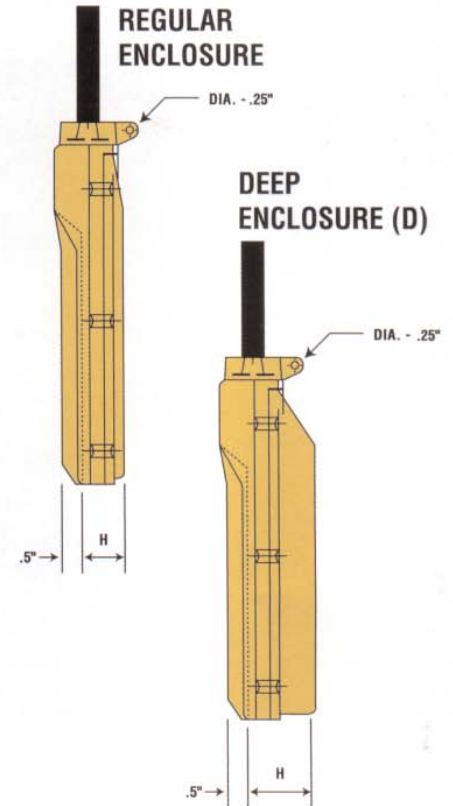
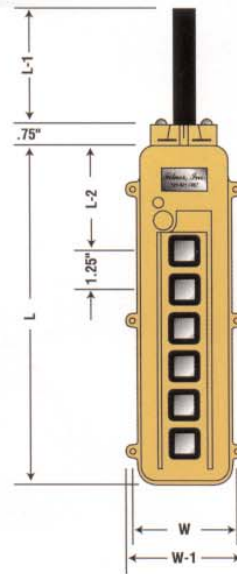
# INFORMATION ON BACK PANEL

## CLASS 5750 DIMENSIONAL INFORMATION

- Contact Filnor for spare parts or special applications (Contact info on back panel).

COMPLETE TYPE	L	L 1	L 2	W	W 1	H
2B	4.5"		2.25"	2.5"	3"	1.5"
4B	7"		2.5"			
6B-L	10.25"	3.5"	3.25"	2.72"	3.25"	2"
6B-DL						1.5"
8B-L	12.75"	3.5"	3.25"	2.72"	3.25"	2"
8B-DL						1.5"
10B-L	15.25"	3.5"	3.25"	2.72"	3.25"	2"
10B-DL						1.5"
12B-L	17.5"	3.5"	3.25"	2.72"	3.25"	2"
12B-DL						1.5"

L = LARGE INLET  
DL = DEEP ENCLOSURE, LARGE INLET



## CLASS 5750 FEATURES

- See back panel for contact and ordering information.

### • CABLE BUSHINGS

Available in 8 sizes from .30" to 1.5" (7.5mm to 28.5mm).

### • LAMP & HORN SWITCH

Knock-out holes in .47" (12mm) dia. and .75" (19mm) dia. are available for lamp and horn switches on 6-12 hole pendants.

### • BUTTONS

Neoprene booted buttons. Seals out dirt & moisture. Available in red, green, and black.

### • BUTTON LEGENDS

Button legends are included. Vertical legends are available. Easy to read.

### • JUMPERS

Several configurations are available for easy connection between 2 or more switches.

### • BUSHING CLAMP & WATER RESISTANT PACKING

Two sizes for cable diameters up to 1.16" (29.5mm).

### • HANGER RING

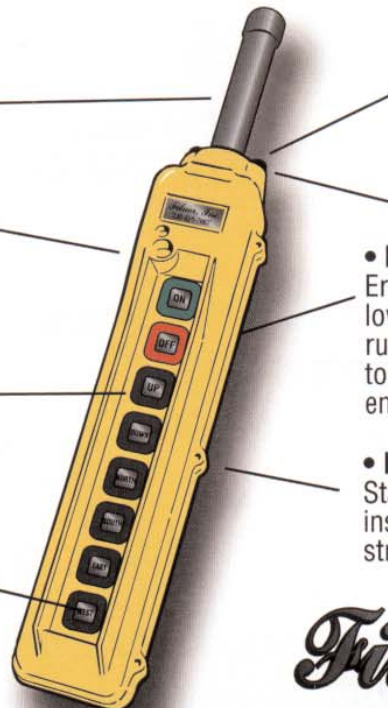
For external strain relief connection

### • ENCLOSURE

Ergonomic design, visible safety yellow, shock and vibration resistant, rugged polycarbonate. 2 thru 12 button. Regular or deep style. Two piece enclosure simplifies field wiring.

### • FASTENERS

Stainless steel hardware and threaded inserts in housing to prevent thread stripping.



*Filnor, Inc.*

"QUALITY PRODUCTS AND SERVICES  
...DELIVERED ON TIME."

• **CONTROLS**

For all your control needs:  
AC & DC Magnetic Controls,  
Magnet Controls, etc.

• **SWITCHES**

For all your switching needs:  
Knife Switches, Bolted  
Pressure Switches, etc.

• **RESISTORS**

For all your resistor needs:  
Acceleration, Ballast,  
Dynamic Braking, etc.

**PHONE: (330) 821-7667 • FAX: (330) 829-3175 • P.O. BOX 2328, 227 N. FREEDOM AVE., ALLIANCE, OH 4460**

*Filnor* ON THE INTERNET

Website: [www.filnor.com](http://www.filnor.com)

Email: [filnor@filnor.com](mailto:filnor@filnor.com)



**ORDERING INFORMATION FOR 5750 PENDANT STATION**

- \* ADD "-D" SUFFIX TO PART NUMBER FOR DEEP ENLCLOSURE; ADD "-L" SUFFIX FOR LARGE INLET
- \* ADD "-DL" SUFFIX TO PART NUMBER FOR DEEP ENCLOSURE AND LARGE INLET

DESCRIPTION	PART# 5750 -
2 button ON/OFF	00
2 button 1s (s= speed)	2B1
2 button 2s	2B2
2 button 3s	2B3
4 button ON/OFF 1s	4B001
4 button ON/OFF 2s	4B002
4 button ON/OFF 3s	4B003
4 button 1s	4B1
4 button 2s	4B2
4 button 3s	4B3
6 button ON/OFF 1s	6B001
6 button ON/OFF 2s	6B002
6 button ON/OFF 3s	6B003
6 button 1s	6B1
6 button 2s	6B2
6 button 3s	6B3
8 button ON/OFF 1s	8B001

DESCRIPTION	PART# 5750 -
8 button ON/OFF 2s	8B002
8 button ON/OFF 3s	8B003
8 button 1s	8B1
8 button 2s	8B2
8 button 3s	8B3
10 button ON/OFF 1s	10B001
10 button ON/OFF 2s	10B002
10 button ON/OFF 3s	10B003
10 button 1s	10B1
10 button 2s	10B2
10 button 3s	10B3
12 button ON/OFF 1s	12B001
12 button ON/OFF 2s	12B002
12 button ON/OFF 3s	12B003
12 button 1s	12B1
12 button 2s	12B2
12 button 3s	12B3

**CALL (330) 821-7667**

FORM # ERS-98-01002

**"QUALITY PRODUCTS AND SERVICES... DELIVERED ON TIME"**