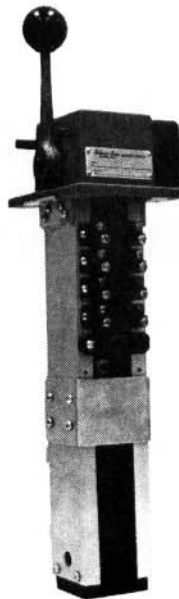
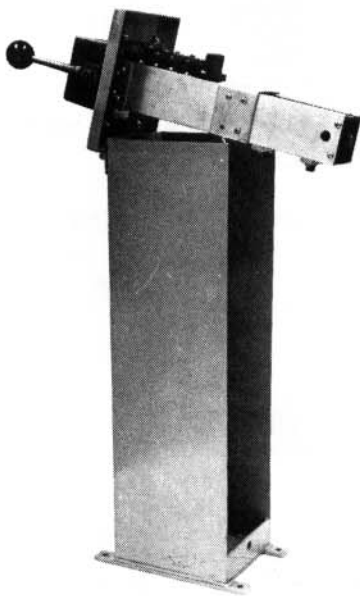
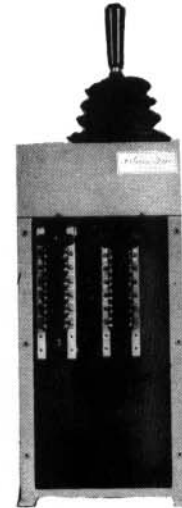


MASTER SWITCHES - JOYSTICK MASTERS - TRANSFER SWITCHES

Master Switches are used as pilot devices to operate multi-speed magnetic motor control panels, usually on cranes or similar applications.

Switches are available with the following optional features :

- Can be supplied with floor mounted enclosure
- 3, 4, 5 or 6 speed points
- Up to 15 circuits per master
- Spring return
- Sequence to suit application
- For A.C. or D.C. service
- Foot operated control available
- Stepless motion control



Two motion (Joy Stick) master switches can be furnished with or without spring return, for AC or DC service, in floor mounting stand or for mounting in console. See page 3 for pricing and dimensional information.

Filnor Inc.

P.O. Box 2328 • 227 North Freedom Avenue • Alliance, Ohio 44601

Phone (330) 821-7667 • Fax (330) 829-3175

Web Page: www.filnor.com • E-mail: filnor@filnor.com

-WE INVITE YOUR INQUIRY-

ISO 9001 Certified

CLASS	5300 5600
PAGE	2

AC. ELECTRICAL RATING AC. MASTERS ONLY				
AC.			DC.	
VOLTS	STEADY	IN-RUSH	DT	ST
250	20	80	.2	.5
600	5	10	-	-

DC. ELECTRICAL RATING DC. MASTERS ONLY	
VOLTS	AMPS
250	.6 AMP. INDUCTIVE

MASTER SWITCH PRICE LIST

FOR AC SERVICE

(D/C Service Thru Size 3 Contactor)

Master Switch Model No.	List Price
5604 - 30 - 020	\$ 782.00
5605 - 30 - 040	852.00
5606 - 50 - 020	890.00
5607 - 50 - 040	956.00
5608 - 50 - 060	992.00
5609 - 50 - XXX	1150.00
5610 - 50 - XXX	1170.00
5612 - 50 - XXX	1246.00

FOR DC SERVICE

Master Switch Model No.	List Price
5304 - 50 - XXX	\$1414.00
5306 - 50 - XXX	1594.00
5307 - 50 - XXX	1712.00
5308 - 50 - XXX	1828.00
5309 - 50 - XXX	1940.00
5310 - 50 - XXX	2082.00
5311 - 50 - XXX	2158.00
5312 - 50 - XXX	2304.00

Third and Fourth Catalog No. tells numbers of circuits. Example 5608 = 8 circuits.

Fifth Catalog No. equals speed points. Example 5308 - 50 = 5 speed points each side.

For 6 speed points - Add \$92.00 list.

Spring return changes Ninth Catalog number from 0 to 1.

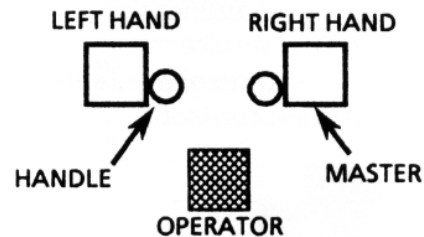
To indicate floor mounted enclosures:
Change 6th number from 0 to 1 and add to price per schedule.

Add per spring return kit thru 16 circuits - \$ 402.00 list.

Add for floor mounted enclosure - 24" High - \$ 394.00 list.

Prices are for open switches.

R.H. - L.H. OPERATION

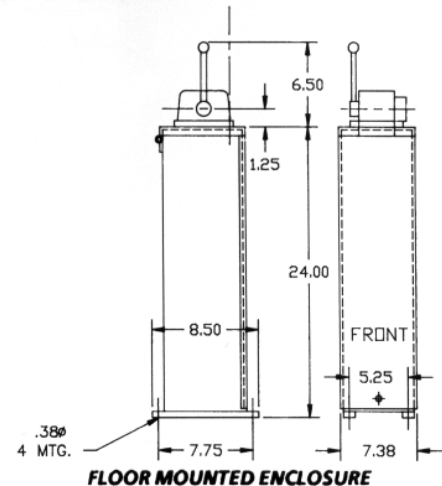
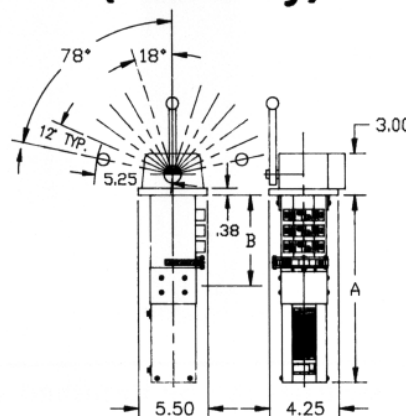


NOTE: MASTER SUPPLIED RIGHT HAND, IF NOT SPECIFIED

Approximate Dimensions (Ref. Only)

CIRCUITS	W/ SPRING RETURN	W/O SPRING RETURN
	"A"	"B"
3	11.63	5.38
5	13.50	7.25
7	15.44	9.19
9	17.31	11.06
11	19.25	13.00
13	21.25	15.00
15	23.00	16.75

* FOR CLEARANCE ADD 1" TO DIMENSIONS SHOWN



When ordering specify Model No. and furnish sketch or drawing of contact sequence required.

Filnor Inc.

P.O. Box 2328 • 227 North Freedom Avenue • Alliance, Ohio 44601

Phone (330) 821-7667 • Fax (330) 829-3175

Web Page: www.filnor.com • E-mail: filnor@filnor.com

-WE INVITE YOUR INQUIRY-

ISO 9001 Certified

JOYSTICK MASTER SWITCH (TWO MOTION)

Price List & Ordering Information

CLASS	5300 5600
PAGE	3

Basic List Prices

CONSOLE MOUNT	\$ 2864.00	SPRING RETURN (ONE MOTION)	\$ 402.00
FLOOR MOUNT	\$ 3300.00	FLOOR MOUNT (TWO MOTION)	\$ 804.00

A/C Service List Price Per Motion No. Of Circuits

4	\$ 360.00
5	412.00
6	478.00
7	532.00
8	602.00
9	654.00
10	722.00
11	776.00
12	838.00
13	892.00
14	962.00
15	1016.00

D/C Service List Price Per Motion No. Of Circuits

4	\$ 520.00
5	614.00
6	720.00
7	814.00
8	922.00
9	1016.00
10	1124.00
11	1218.00
12	1320.00
13	1414.00
14	1526.00
15	1618.00

FOR STEPLESS MOTION CONTROL CONSULT FACTORY

Ordering Information

A SELECT: CONSOLE MOUNT \$ _____
OR
FLOOR MODEL \$ _____

B SELECT SPRING RETURN ONE MOTION \$ _____
OR
TWO MOTION \$ _____

C SELECT NO. OF CIRCUITS FOR FORWARD TO REVERSE, HANDLE TRAVEL
 A/C \$ _____
 OR
 D/C \$ _____

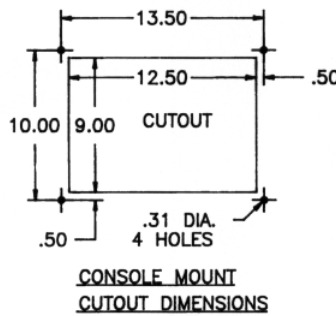
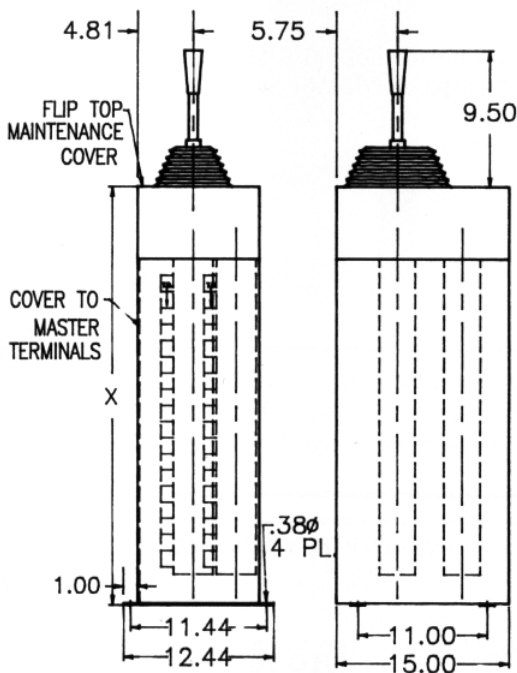
D SELECT NO. OF CIRCUITS FOR LEFT TO RIGHT HANDLE TRAVEL
 A/C \$ _____
 OR
 D/C \$ _____

LIST PRICE OF SWITCH = \$ _____

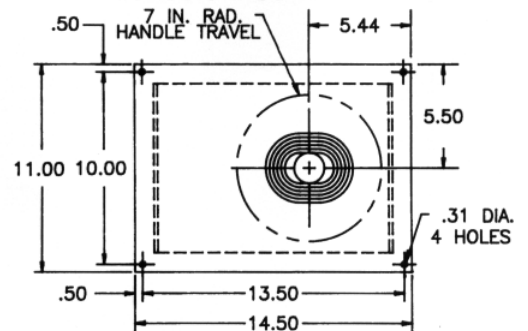
PLEASE INCLUDE CIRCUIT SEQUENCES OF BOTH MOTIONS WITH INQUIRY

Approximate Dimensions (Reference Only)

Floor Mounted Enclosure

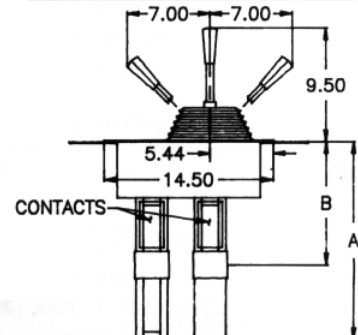


Console Mount



CIRCUITS	W/ SPRING RETURN	W/O SPRING RETURN
	"A"	"B"
3	16.63	10.38
5	18.50	12.25
7	20.44	14.19
9	22.31	16.06
11	24.25	18.00
13	26.25	20.00
15	28.00	21.75

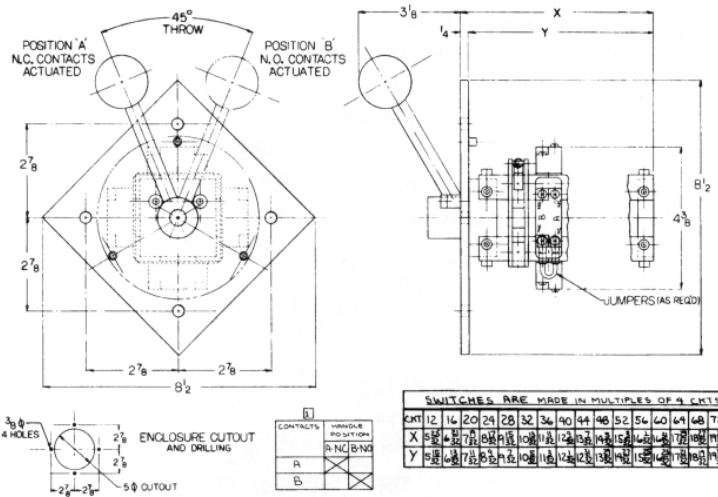
PLAN VIEW - CONSOLE MOUNT JOYSTICK



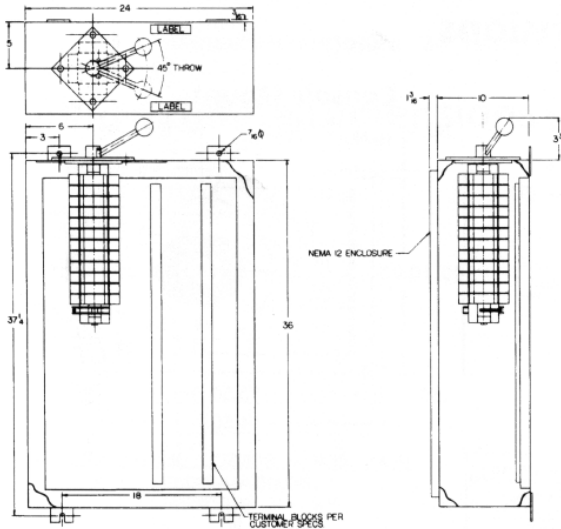
CLASS	5600
PAGE	4

TRANSFER SWITCH (CIRCUIT ISOLATION)

Approximate Dimensions (Reference Only) Switch Assembly



Transfer Switch In Enclosure Supplied wired to terminal blocks for field installation



For Pricing Consult Factory

Transfer Switch List Price (Switch Assembly Only)

Number of Circuits	List Price
12	\$1290.00
16	1448.00
20	1606.00
24	1764.00
28	1902.00
32	2080.00
36	2238.00
40	2398.00
44	2556.00
48	2714.00
52	2872.00
56	3030.00
60	3188.00
64	3346.00
68	3504.00
72	3662.00
76	3820.00
80	3978.00
84	4136.00

For Additional Circuits Consult Factory

Transfer Switch electrical ratings are same as A.C. rating on regular Master Switch

Filnor Inc.

P.O. Box 2328 • 227 North Freedom Avenue • Alliance, Ohio 44601

Phone (330) 821-7667 • Fax (330) 829-3175

Web Page: www.filnor.com • E-mail: filnor@filnor.com

-WE INVITE YOUR INQUIRY-

ISO 9001 Certified

FORM GS20245