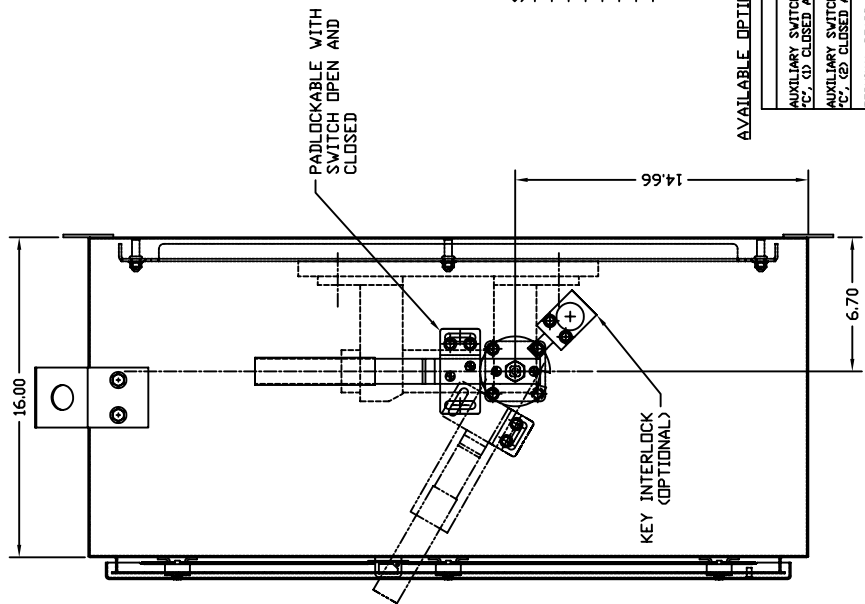


TERMINAL DIMENSIONS		
AMP	MODEL	A B
200	EKM0210-2P	2.84 4.09
400	EKM0410-2P	2.91 4.94
600	EKM0610-2P	3.03 5.53



- STANDARD SWITCH FEATURES:
- 2 POLE KNIFE TYPE - NON FUSIBLE
 - 1000 VOLT INSULATION CLASS
 - NON FUSIBLE
 - NEMA 12 ENCLOSURE
 - EXTERNAL PADLOCKABLE HANDLE OPERATOR
 - TOP ENTRY, BOTTOM EXIT
 - ANSI 61 GRAY FINISH

AVAILABLE OPTIONS:

DESCRIPTION OF OPTIONS	SUFFIX
AUXILIARY SWITCHES QTY 2; TWO AUXILIARY SWITCHES FORM 'C', (C) CLOSED AND (O) OPEN (NOT WIRED)	1X
AUXILIARY SWITCHES QTY 4; FOUR AUXILIARY SWITCHES FORM 'C', (C) CLOSED AND (O) OPEN (NOT WIRED)	2X
TERMINAL BOARD, AUXILIARY SWITCHES WIRED TO A TERMINAL BOARD	TB
KEY INTERLOCK PROVISION IN THE OPEN POSITION	K1
KEY INTERLOCK PROVISION IN THE CLOSED POSITION	K2
KEY INTERLOCK PROVISION IN THE OPEN AND CLOSED POSITION	K3
KEY INTERLOCK PROVIDED BY FILNOR - SINGLE KEY	ORDER BY DESCRIPTION
POLYCARBONATE WINDOW IN DOOR	V
NEMA 3R ENCLOSURE	3R
NEMA 4 ENCLOSURE	4
NEMA 4X ENCLOSURE	4X

Filnor Inc.
 P.O. BOX 2500
 ALLIANCE, MO 64801
 DISCONNECT SWITCH LAYOUT
 200 THRU 600 AMP
 DATE: 10/22/07
 DRAWN BY: R.J.S.
 CHECKED BY: J.S.
 SCALE: NONE
 SHEET NO: 2000
 PART NO: GMZ27346